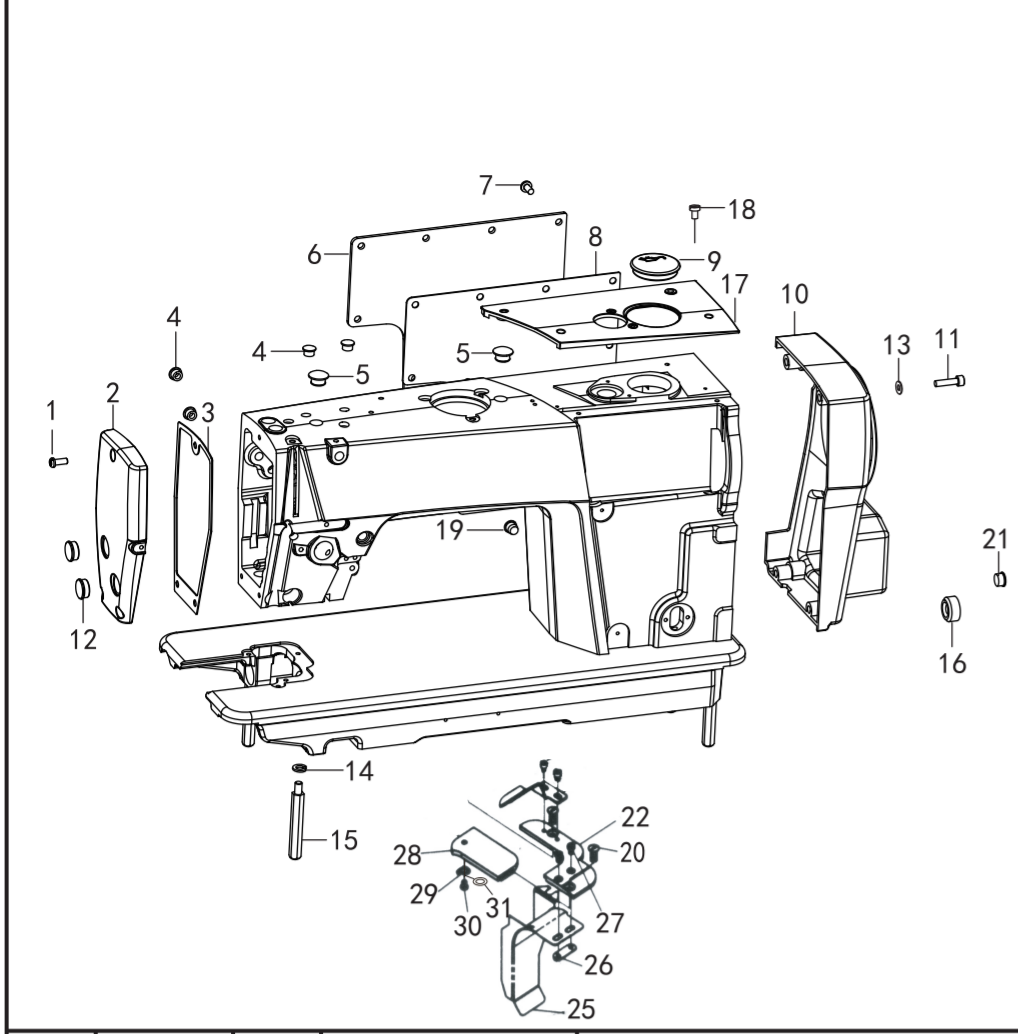
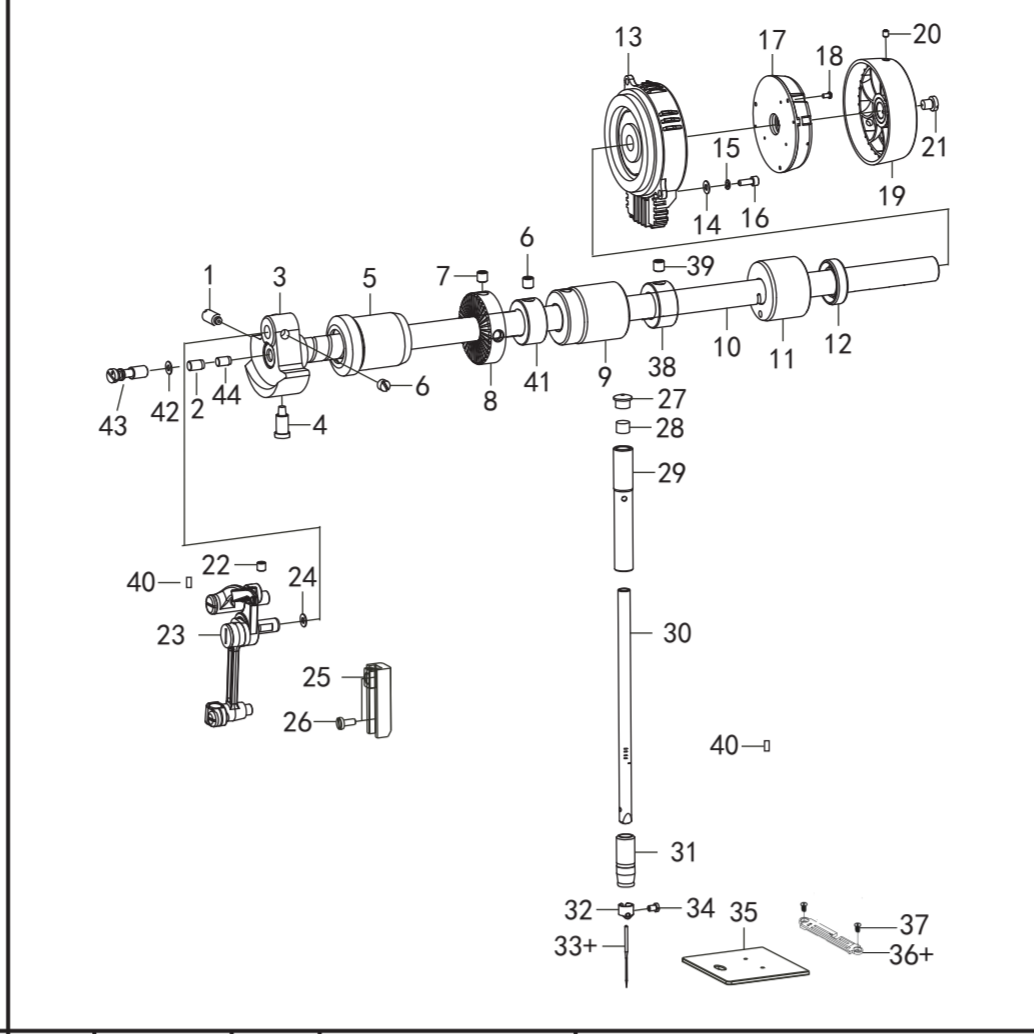


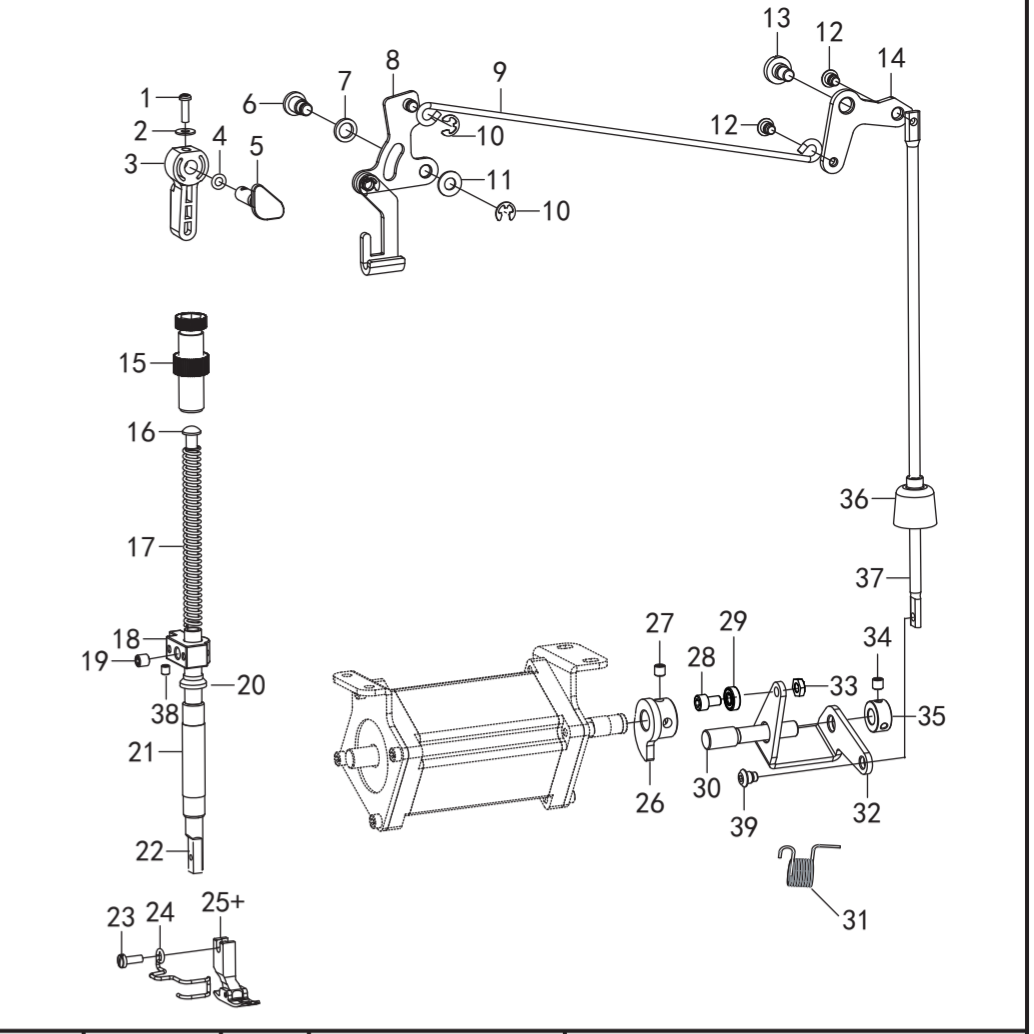
1. 机体部分/Machine body



2. 上轴装置/Shaft mechanism



3. 压脚装置/Presser foot mechanism

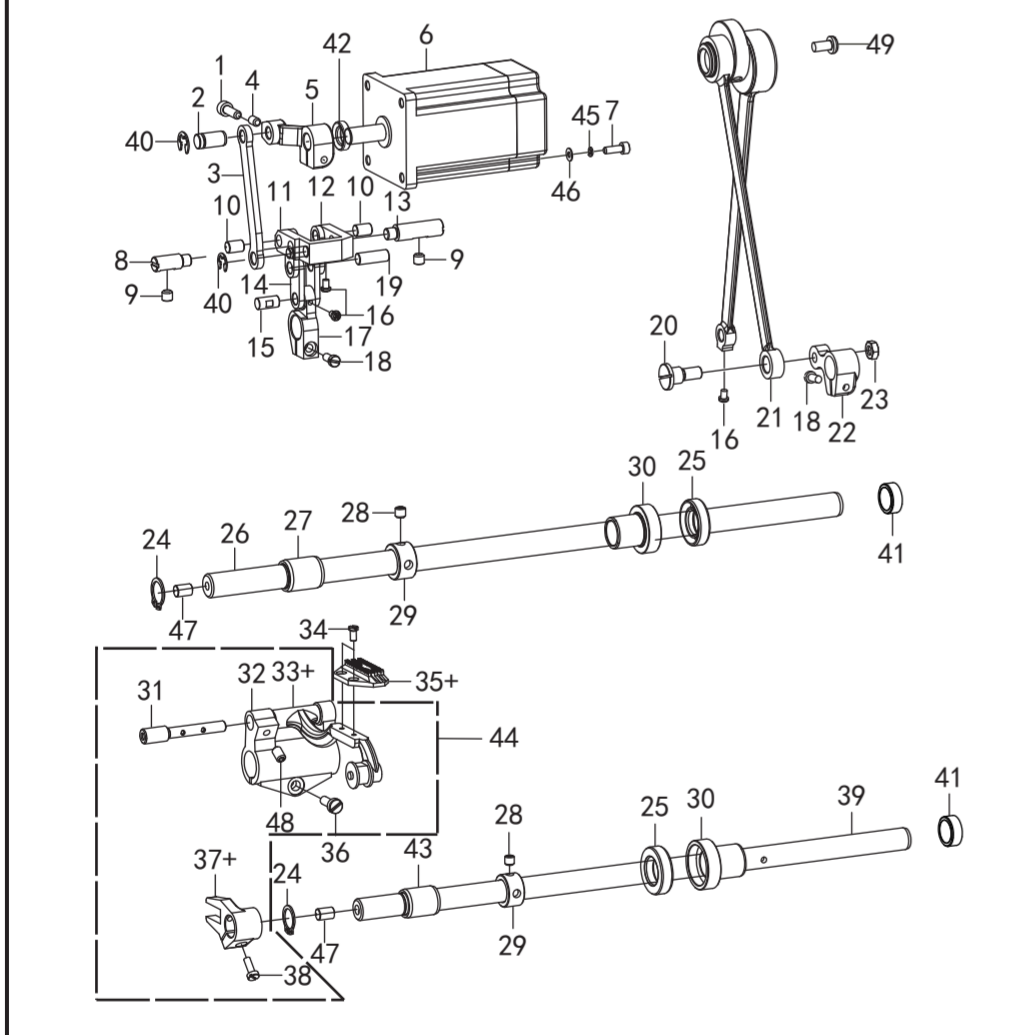


序号	图号	数量	零件名称	NAME OF PARTS
1	062710812	3	螺钉 SM4. 76-28x9	SCREW PAN SM4. 76-28x9
2	168012201	1	面板	FACE PLATE
3	168012301	1	面板垫	GASKET
4	115011401	4	橡皮塞 8.5	RUBBER 8.5
5	101011001	2	橡皮塞 12.5	RUBBER 12.5
6	115010401	1	后窗板	SIDE PLATE
7	062501216	9	螺钉 M5×12	SCREW PAN M5×12
8	115010501	1	后窗板衬垫	GASKET
9	168010901	1	橡皮塞 37.8	RUBBER 37.8
10	168012101	1	马达罩	MOTOR COVER
11	018502532	4	螺钉 M5×25	SCREW PAN M5×25
12	115010701	2	橡皮塞 15.5	RUBBER 15.5
13	025050132	4	垫圈5	WASHER 5
14	028060246	4	弹簧T6	SPRING T6
15	168011701	4	底板支柱	BED SCREW STUD
16	101011401	1	橡皮塞 20.9	RUBBER 20.9
17	168012001	1	顶盖	UPPER COVER
18	168012501	5	螺钉 M3×8	SCREW PAN M3×8
19	101013301	1	孔塞8.8	KONG PLUG 8.8
20	115023501	2	螺钉SM4. 37-40x6	SCREW SM4. 37-40x6
21	115011001	1	橡皮塞10.5	RUBBER STOPPER 10.5
22	152204501	1	针板挡板	NEEDLE PLATE BAFFLE
23	152204801	1	针板导罩	NEEDLE PLATE CHIP GUIDE
24	152204901	1	针板导罩垫块	NEEDLE PLATE CHIP GUIDE BLOCK
25	152205001	2	针板导罩螺钉	NEEDLE PLATE CHIP GUIDE SCREW
26	152205101	1	针板导罩口盖板	NEEDLE PLATE CHIP GUIDE PORT COVER
27	152205201	1	导罩口盖板簧	CHIP GUIDE COVER LEAF SPRING
28	152205301	1	导罩口盖板螺钉	CHIP GUIDE COVER SCREW
30	025040132	1	平垫圈4	WASHER 4

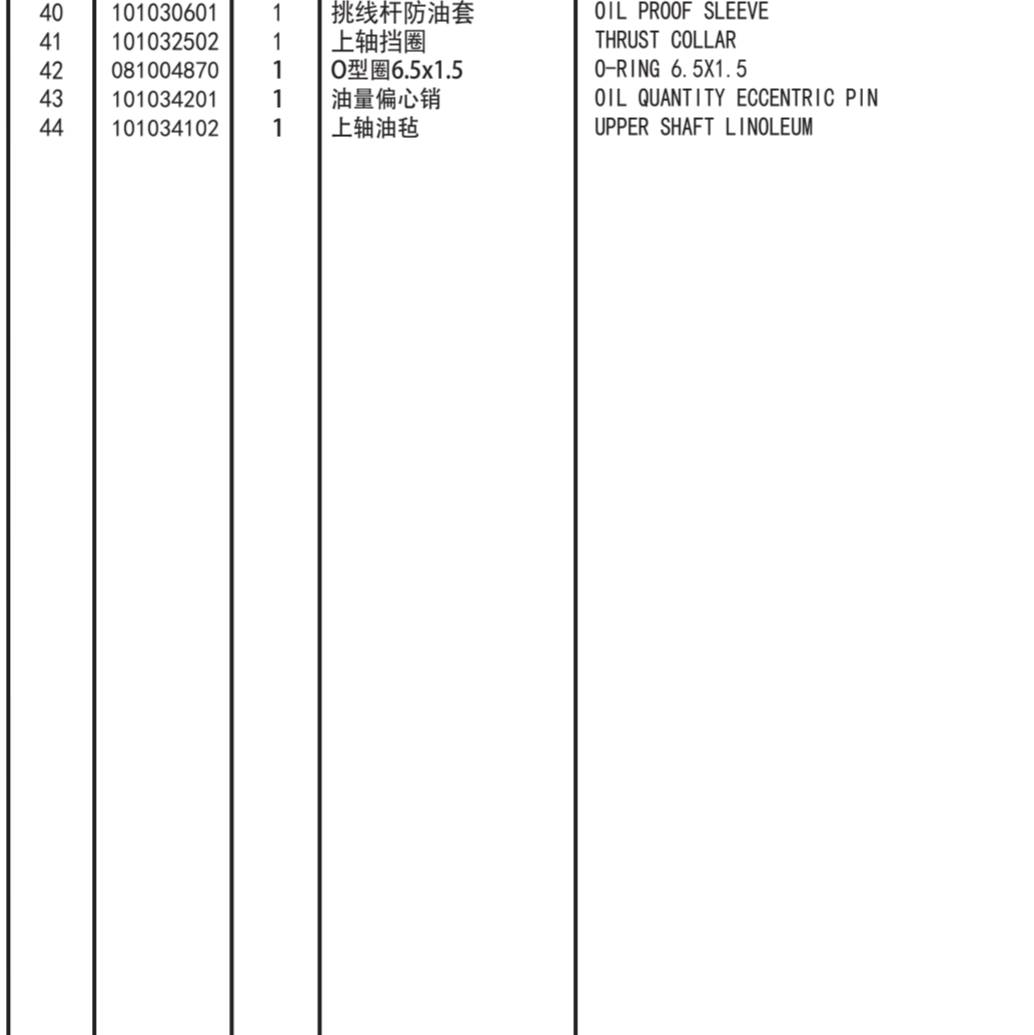
序号	图号	数量	零件名称	NAME OF PARTS
1	101031601	1	螺钉 SM7. 14	SCREW PAN SM7. 14
2	101034301	1	油量销套	OIL QUANTITY PIN SLEEVE
3	152205901	1	针杆柄柄	COUNTER WEIGHT
4	101031801	1	螺钉 SM7. 14	SCREW PAN SM7. 14
5	152206101	1	上轴前轴套	MAIN SHAFT BUSHING FRONT
6	014770632	4	螺钉 SM6. 35	SCREW SM6. 35
7	014500832	2	螺钉 M5×8	SCREW PAN M5×8
8	101032101	1	绕线驱动轮	BOBBIN WINDER DRIVING WHEEL
9	168020901	1	上轴中轴套	BUSHING INTERMEDIATE
10	152206201	1	上轴	MAIN SHAFT
11	168021101	1	上轴后轴套	MAIN SHAFT BUSHING REAR
12	115024001	1	油封	OIL SEAL
13	168021302	1	马达组件	SERVO MOTOR ASSY
14	028050246	3	弹性垫圈	SPRING WASHER
15	025050132	3	垫圈 5	WASHER 5
16	018501432	3	螺钉 M5×14	SCREW PAN M5×14
17	168023301	1	编码器	FILM ROTATING AND ENCODER
18	018300632	4	螺钉 M3×6	SCREW PAN M3×6
19	115025303	1	手轮	HANG WHEEL ASM
20	012501032	2	螺钉 M5×10	SCREW PAN M5×10
21	115025401	1	螺钉 SM8. 73	SCREW PAN SM8. 73
22	012061032	1	螺钉 M6×10	SCREW PAN M6×10
23	101031401	1	挑线杆组件 M	THREAD TAKE-UP LEVER ASM M
24	115021402	1	垫圈 8	WASHER 8
25	167206401	1	针杆滑块组件	NEEDLE BAR SLIDER ASSEMBLY
26	101020201	2	螺钉 SM4. 37-40x6	SCREW PAN SM4. 37-40x6
27	115010801	1	橡皮塞 8.5	RUBBER CAP 8.5
28	115025601	1	油毡	FELT
29	101040301	1	针杆上套	NEEDLE BAR BUSH U
30	152206302	1	针杆	NEEDLE BAR
31	101040901	1	针杆下套 M	NEEDLE BAR BUSH D M
32	152206601	1	针杆过线环	NEEDLE BAR THREAD GUIDE
33+	115024101	1	机针 DB×1 14	NEEDLE DB×1 #14
34	101041001	1	支针螺钉 SM3. 18	SCREW PAN SM3. 18
35	101011801	1	推板组件	SLIDE PLATE COMPONENTS
36+	152204402	1	针板 3/16	THREAD PLATE 3/16
37	115023501	2	螺钉 SM4. 37	SCREW PAN SM4. 37
38	101032501	1	上轴挡圈	THRUST COLLAR
39	115024801	2	螺钉 SM6. 35×40-6	SCREW SM6. 35×40-6
40	101030601	1	挑线杆防油套	OIL PROOF SLEEVE
41	101032502	1	上轴挡圈	THRUST COLLAR
42	081004870	1	O型圈 6.5x1.5	O-RING 6.5x1.5
43	101034201	1	油量偏心销	OIL QUANTITY ECCENTRIC PIN
44	101034102	1	上轴油毡	UPPER SHAFT LINOLEUM

序号	图号	数量	零件名称	NAME OF PARTS
1	101054501	1	螺钉 SM3. 57	SCREW SM3. 57
2	101054601	1	垫圈 3.7	WASHER 3.7
3	168030301	1	抬压脚扳手	HAND LIFTER
4	081004070	1	O型圈 P4	RING P4
5	102050601	1	抬压脚凸轮轴	PRESSER FOOT LIFTING CAMSHAFT
6	101052001	2	前杠杆螺钉	LINK SHAFT
7	101052101	2	防油橡胶垫(薄)	WASHER
8	168031001-1	1	抬压脚前杠杆组件	FRONT LEVER ASSEMBLY
9	168030901	1	抬压脚拉杆	LIFTING LEVER LINK
10	048050342	3	卡簧 E5	SNAP RING E5
11	101056301	2	垫圈 6.35	WASHER 6.35
12	115034301	2	轴位螺钉 SM4. 76	SCREW SM4. 76
13	115034501	1	轴位螺钉 SM6. 35	SCREW SM6. 35
14	115034601	1	膝控提升手杆	LIFT KNEE CONTROL LEVER
15	168031501	1	调压螺钉组件	PRESSURE REGULATING BOL
16	101050301	1	调压导杆	PRESSER GUIDE BAR
17	125050401	1	调压簧	PRESSER SPRING
18	168031801	1	压杆导架	NEEDLE BAR GUIDE BAACKET
19	168031901	1	螺钉 SM6. 35-40x10	SCREW SM6. 35-40x10
20	101050901	1	压杆套防油圈	SHOCK PAD
21	101051001	1	压杆衬套	PRESSER BAR BUSHING LOWER
22	152205501	1	压杆	PRESSER BAR
23	115031001	1	螺钉 SM3. 57-40x10	SCREW SM3. 57-40x10
24	101051301	1	护指器	PROTECT SHELF
25+	152206802	1	压脚 3/16	MPRESSER FOOT ASM 3/16
26	168032701	1	抬压脚凸轮	HAND LIFTER CAM
27	014600832	2	螺钉 M6×8	SCREW PAN M6×8
28	018601232	1	螺钉 M6×12	SCREW PAN M6×12
29	169034001	1	轴承	BEARING
30	168033101	1	抬压脚曲柄轴	PRESSER FOOT CRANK SHAFT
31	168033801-1	1	压脚复位簧	PRESSER FOOT RESET SPRING
32	168033201	1	抬压脚驱动曲柄	PRESSER FOOT DRIVING CRANK
33	021600306	1	螺母 M6×0. 75	NUT M6×0. 75
34	012500632	2	螺钉 M5×6	SCREW PAN M5×6
35	168033501	1	曲柄轴挡圈	SET SCREW COLLAR
36	168033601	1	膝控提升杆橡皮塞	RUBBER CAP
37	168033701	1	抬压脚顶杆	CONNECTING ROD VERTICAL
38	115034201	1	抬压脚减震垫	CUSHION
39	168031301	1	轴位螺钉 SM4. 76x32	SCREW SM4. 76x32

4. 送料装置/Feed mechanism components



5. 旋梭装置/ Hook components



序号	图号	数量	零件名称	NAME OF PARTS
1	018501632	1	螺钉 M5×16	SCREW PAN M5×16
2	168040201	1	连杆销	STUD
3	168040301	1	倒锥连杆	F-REGULATOR CONNECT ROD
4	014680632	1	螺钉 SM4. 37-40x6	SCREW PAN SM4. 37-40x6
5	168040501	1	倒锥曲柄	INVERTED CAANK
6	168040602	1	倒锥步进电机	BACKSEWING STEPPING MOTOR
7	018401632	4	螺钉 M4×16	SCREW PAN M4×16
8	101061501	1	摆动板左销	ADJUSTING LINK FULCRUM SHAFT
9	014760832	2	螺钉 SM5. 95	SCREW PAN SM5. 95
10	101061801	2	摆动板连接销	SWING PLATE CONNECTING PIN
11	168041101	1	切换器	LEVEL FEED REGULATOR
12	101061601	2	曲柄短连杆	FEED ROCKER LINK
13	168041301	1	切换器右销	ADJUSTING LINK FULCRUM SHAFT
14	101061701	2	曲柄长连杆	FEED ROCKER LINK
15	101060901	1	送料连杆销	WLSKING FOOT PIN
16	101022801	5	螺钉 SM3. 57	SCREW PAN SM3. 57
17	101063301	1	送料曲柄	FEED ROCKER SHAFT CRANK
18	101063501	2	螺钉 SM4. 76-28x5	SCREW PAN SM4. 76-28x5
19	101063401	1	送料曲柄销	WALKING FOOT PIN
20	101061101	1	轴位螺钉 SM7. 14x28	AXIS SCREW SM7. 14x28
21	101060102	1	连杆组件 H	CONNECTING ROD ASM
22	101063601	1	抬牙后曲柄	READ CRANK ASM
23	101063701	1	螺母 SM5. 95	NUT SM5. 95
24	048140142	2	挡圈 C14	RING C14
25	125064301	2	油封	OIL SEAL
26	168042601	1	送布轴	FEED ROCKER SHAFT
27	101063101	1	送布轴前轴套	FEED ROCKER SHAFT METAL
28	010163001	4	螺钉 SM6. 35	SCREW PAN SM6. 35
29	101062901	2	送布轴挡圈	THRUST COLLAR
30	168043001	2	送布轴中套	FEED ROCKER SHAFT METAL
31	101062201	1	牙架销	FEED BAR SHAFT
32	101062501	1	牙架座	FEED ROCKER
33	101062301	1	牙架	FEED BAR
34	115047001	2	螺钉 SM3. 18	SCREW PAN SM3. 18
35+	152206901	1	送料牙 3/16	FEED DOG 3/16
36	101062701	1	螺钉 SM5. 95	SCREW PAN SM5. 95
37	101063901	1	抬牙叉形曲柄	DRIVING SHAFT CRANK ASM

序号	图号	数量	零件名称	NAME OF PARTS
38	101064001	1	螺钉 SM4. 37-40x12	SCREW PAN SM4. 37-40x12
39	168043901	1	抬牙轴	FEED DRIVING SHAFT
40	048050342	2	卡簧 E5	RING E5
41	125013001	2	橡皮塞 15.2	RUBBER 15.2
42	169041101	1	油封	OIL SEAL
43	101063102	1	抬牙轴前轴套	LIFTING SHAFT FRONT BUSHING
44	101062101	1	牙架组件	TOOTH FRAME COMPONENTS
45	028040246	4	弹簧垫圈 T4	WASHER T4
46	025040132	4	平垫圈 4	WASHER 4
47	115082801	4	油毡	LINOIEUM
48	101062601	1	螺钉 SM4. 37-40x7	NAIL SM4. 37-40x7
49	101060601	2	螺钉 SM6. 35-40x11	SCREW SM6. 35-40x11

序号	图号	数量	零件名称	NAME OF PARTS
1	101041301	1	伞齿轮组件	BEVEL GEAR ASSY
2	014760832	3	螺钉 SM5. 95	SCREW SM5. 95
3	168050301	1	竖轴上轴套	VERTICAL SHAFT BUSH U
4	101041902	1	竖轴	VERTICAL SHAFT
5	101042201	1	竖轴下轴套	VERTICAL SHAFT BUSH D
6	115072204	1	旋梭定位钩	HOK STOPPER
7	115072601	1	螺钉 SM4. 37	SCREW PAN SM4. 37
8	115072701	1	梭芯芯组件	BOBBIN GASE ASSY
9	115072401	1	梭芯	BOBBIN
10	115072313	1	旋梭组件	ROTARY HOOK ASSY
11	115071401	1	油盖螺钉	OIL COVER SCREW
12	125043201	1	下轴限油芯	LOWER SHAFT LIMIT OIL CORE
13	115073401	2	油封	OIL SEAL
14	168051401	1	下轴前套	PUMP BUSH
15	115071601	1	油封	OIL SEAL
16	101042901	1	下轴	LOWER SHAFT
17	014770532	2	螺钉 SM6. 35	SCREW PAN SM6. 35
18	115072001	1	紧圈	SET SCREW COLLAR
19	168051901	1	下轴后轴套	BUSHING THREAD FINGER
20	168052001	1	分线器	LOWER THREAD FINGER
21	101080701	1	螺钉 SM3. 57	SCREW PAN SM3. 57
22	115073601	1	小油毡	SMALL LINOIEUM
23	115073301	2	O型圈	O-RING

